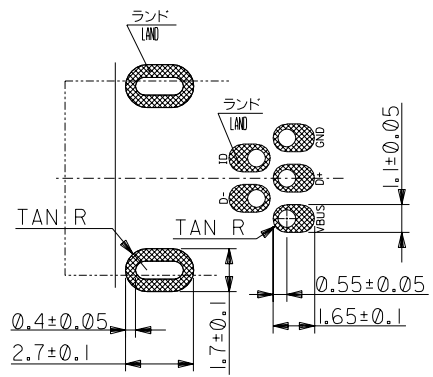
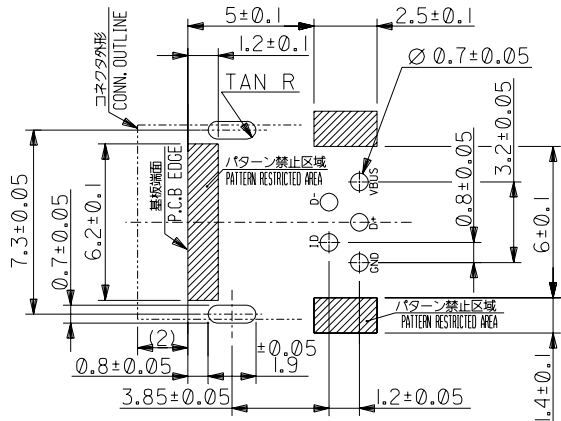
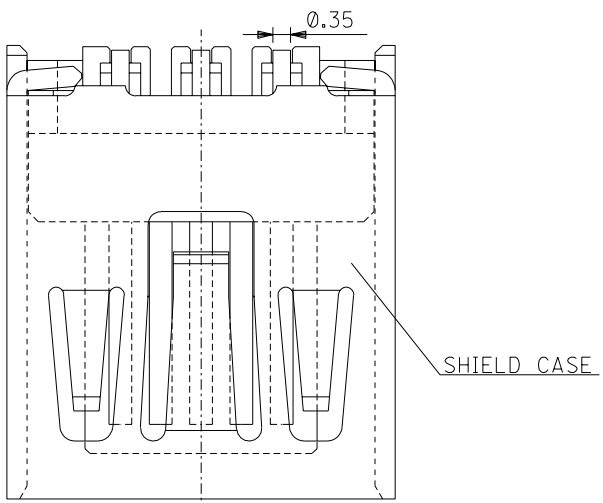
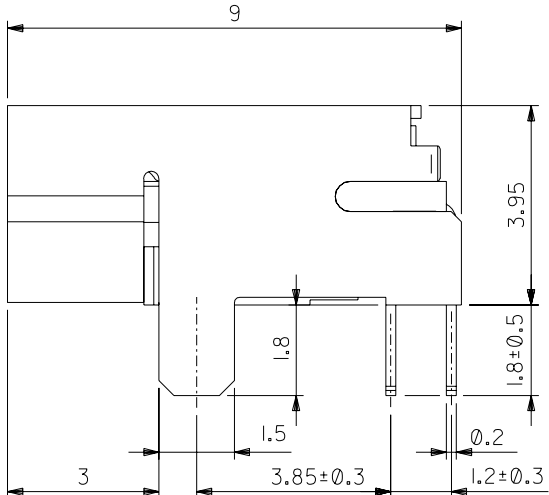
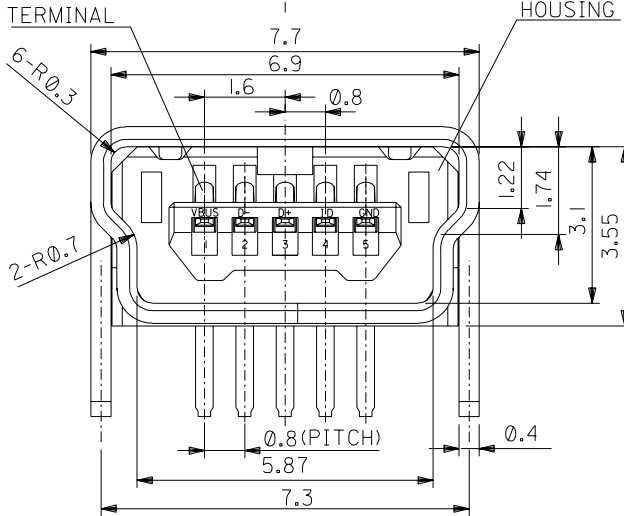


コネクタ実装側 (CONNECTOR MOUNT SIDE) 逆側 (REVERSE SIDE)



推奨基板寸法
RECOMMENDED P.C.B. PATTERN LAYOUT



- 注記 1. 材質 MATERIAL
 ハウジング: ポリフタルアミド ガラス充填, 黒色, UL94V-0
 HOUSING: POLYPHTHAL AMIDE GLASS FILLED, BLACK, UL94V-0
 ターミナル: 銅合金 (t=0.2)
 TERMINAL: COPPER ALLOY (t=0.2)
 シールド ケース: 銅合金 (t=0.4)
 SHIELD CASE: COPPER ALLOY (t=0.4)
2. メッキ仕様 PLATING
 ターミナル TERMINAL
 接点部: 金メッキ 0.76μm MIN.
 CONTACT AREA: GOLD 0.76MICRO METER MIN.
 半田付け部: 錫メッキ 1.0μm MIN.
 SOLDER TAIL AREA: TIN 1.0MICRO METER MIN.
 下地部: ニッケルメッキ 1.0μm MIN.
 UNDER PLATING: NICKEL 1.0MICRO METER MIN.
 シールド ケース SHIELD CASE
 : 錫メッキ 1.0μm MIN.
 : TIN 1.0MICRO METER MIN.
 下地部: ニッケルメッキ 1.0μm MIN.
 UNDER PLATING: NICKEL 1.0MICRO METER MIN.
3. 本製品は54819-0511の鉛フリー品である。
 THIS PRODUCT IS LEAD FREE OF 54819-0511.

DO NOT SCALE DRAWING

168 NO. DRWN: CH'K: APPR:	163 NO. DRWN: CH'K: APPR:	162 NO. DRWN: CH'K: APPR:	161 NO. DRWN: CH'K: APPR:	新規作成 RELEASED 160 NO. J2004-4032 DRWN: M. NAGATA '04/04/28 CH'K: K. TOJO '04/04/28 APPR: M. SASAO '04/04/28
0	0	0	0	0

MATERIAL 材料	SEE NOTES
FINISH 仕上げ	SEE NOTES
WIRE RANGE 適用線径範囲	—
INS. RANGE 被覆外径	—

GENERAL TOLERANCES: (UNLESS SPECIFIED) 一般公差	10 UNDER 未満 ±0.2	30 UNDER 未満 ±0.25	30 OVER 以上 ±0.3
ANGLE 角度	*3°		

MODEL NO. 54819-**-19	DIMENSIONS: <input type="checkbox"/> mm <input type="checkbox"/> INCH <input checked="" type="checkbox"/> mm ONLY		SHT 1	REV
DESIGN UNITS <input checked="" type="checkbox"/> mm <input type="checkbox"/> INCH	PROJECTION <input checked="" type="checkbox"/> 1ST ANGLE <input type="checkbox"/> THIRD ANGLE		MATERIAL NO. 54819-0519	
DRAWN BY & DATE M. NAGATA '04/04/27		TITLE: USB SERIES MINI-B RECEPTACLE ASS'Y -LEAD FREE-		
CHECKED BY & DATE K. TOJO '04/04/27		MOLEX MOLEX INCORPORATED		
APPROVED BY & DATE M. SASAO '04/04/27		MATERIAL NO. SEE CHART		
CAD FILENAME SD-54819-026.S01	DRAWING NO. SD-54819-026	SHEET NO. 1 OF 2		SIZE B

DWG. NO. SD-54819-026

F

D

V

C

B

DO NOT SCALE DRAWING

8

7

6

5

4

3

2

1

F

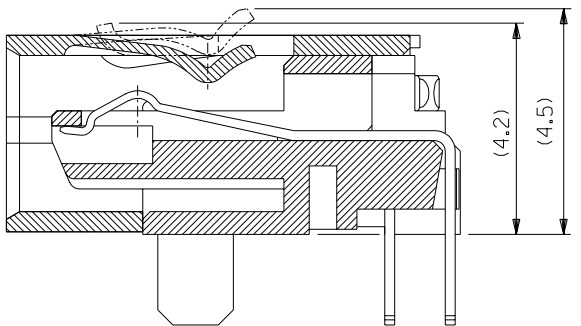
E

D

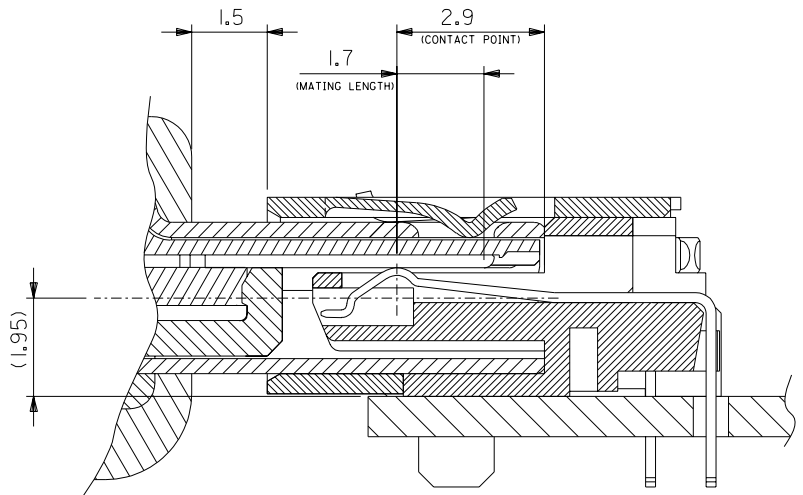
C

B

A



SECTION



MATING

66 NO. DRWN: CH'K: APPR:	63 NO. DRWN: CH'K: APPR:	62 NO. DRWN: CH'K: APPR:	61 NO. DRWN: CH'K: APPR:	60 NO. DRWN: CH'K: APPR: SEE SHEET 1
8	7	6	5	4

MATERIAL 材料	SEE NOTES
FINISH 仕上り	SEE NOTES
WIRE RANGE 適用電線範囲	— # —
INS. RANGE 被覆外径	— # —

GENERAL TOLERANCES: (UNLESS SPECIFIED) 一般公差	SCALE 10 : 1
10 UNDER 未満	±0.2
10 OVER 30 UNDER 以上 未満	±0.25
30 OVER 以上	±0.3
ANGLE 角度	±3°

MODEL NO. DESIGN UNITS	54819-**-19 mm INCH
PROJECTION	2D 2D
DRAWN BY & DATE M.NAGATA '04/04/28	TITLE: USB SERIES MINI-B RECEPTACLE ASS'Y -LEAD FREE-
CHECKED BY & DATE K.TOJO '04/04/28	MOLEX INCORPORATED
APPROVED BY & DATE M.SASAO '04/04/28	CAD FILENAME SD-54819-026.S02

DIMENSIONS:	SHT	REV
mm INCH mm ONLY	2	2
MATERIAL NO.	DRAWING NO.	SHEET NO.
SEE CHART	SD-54819-026	2 OF 2
THIS DRAWING CONTAINS INFORMATION THAT IS PROPRIETARY TO MOLEX INCORPORATED AND SHOULD NOT BE USED WITHOUT WRITTEN PERMISSION.		
		SIZE B

8

7

6

5

4

3

2